

Cable Lock

The only Soft Goods security not vulnerable to magnets.



InVue's Cable Lock stands alone in the market as the only solution not vulnerable to magnet defeats. Designed for retailers who want to protect soft goods merchandise with an alarming lanyard lock, the small form factor, which cannot be defeated by magnets, matches the high end

aesthetics of the merchandise it protects. It offers a quick "1-step" application making securing merchandise easy for sales associates. Cable Lock utilizes the IR3 Key and is part of InVue's exclusive IR Ecosystem™.



Cable Lock

FEATURES AND BENEFITS

- 1 95 dB alarm
- 2 Steel cable for added security strength
- 3 6" and 48" cable lengths secure a variety of products
- 4 Blinking red LED light to deter thieves



Cable Lock

FEATURES AND BENEFITS (continued)

- 1 Elegant, compact housing
- 2 Quick, simple "1-step" installation
- 3 EAS tower alarms (AM and RF sku's)
- 4 Quickly disarms using the IR3 Key



IR Ecosystem™

Cable Lock is part of the exclusive IR Ecosystem™, a storewide single key solution that improves customer service, increases sales and provides high theft protection.



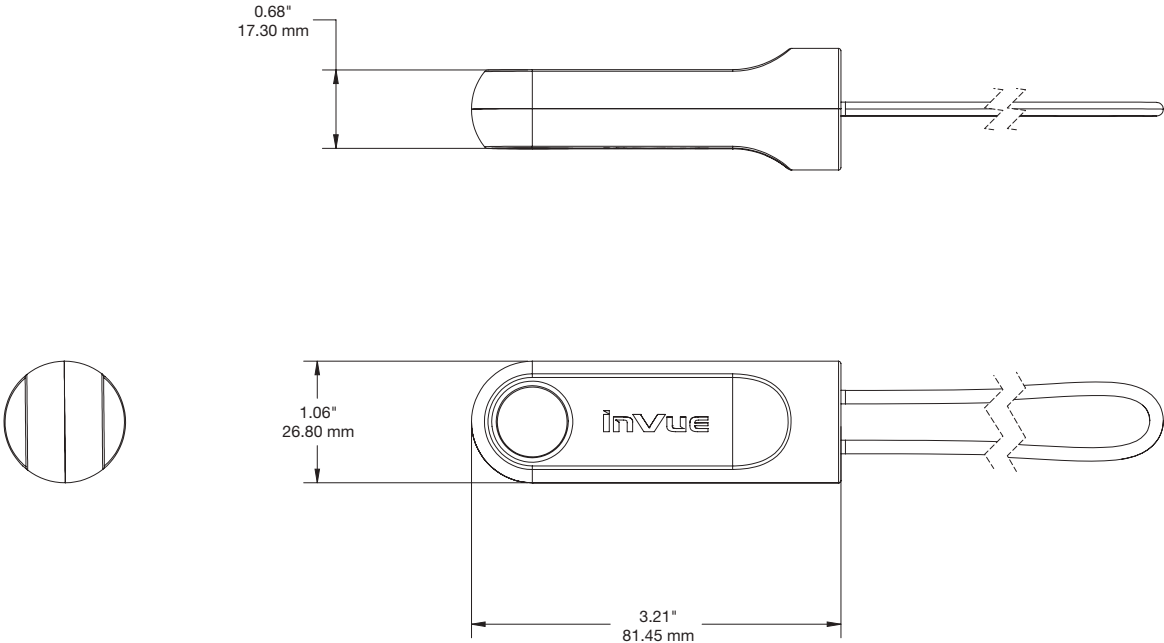
IR Ecosystem



Cable Lock

SPECIFICATIONS

Cable Lock, 2 Alarm 6" (NCSAM2) or 48" (NCLAM2):



Cable Lock

PRODUCT ORDERING

ORDER CODE	DESCRIPTION	NOTES
NCSAM2	Cable Lock, 2 Alarm, 6", AM	
NCSRF2	Cable Lock, 2 Alarm, 6", RF	
NCLAM2	Cable Lock, 2 Alarm, 48", AM	
NCLRF2	Cable Lock, 2 Alarm, 48", RF	

invue.com

©2018 InVue Security Products. No endorsement of InVue products has been made by any of the manufacturers of the products shown. Product is sold pursuant to InVue's warranty which can be found at www.invue.com/warranty.

THE AMERICAS 704.752.6513 • 888.55.INVUE
EUROPE, MIDDLE EAST & AFRICA +31.23.8900150
ASIA PACIFIC +852.3127.6811

