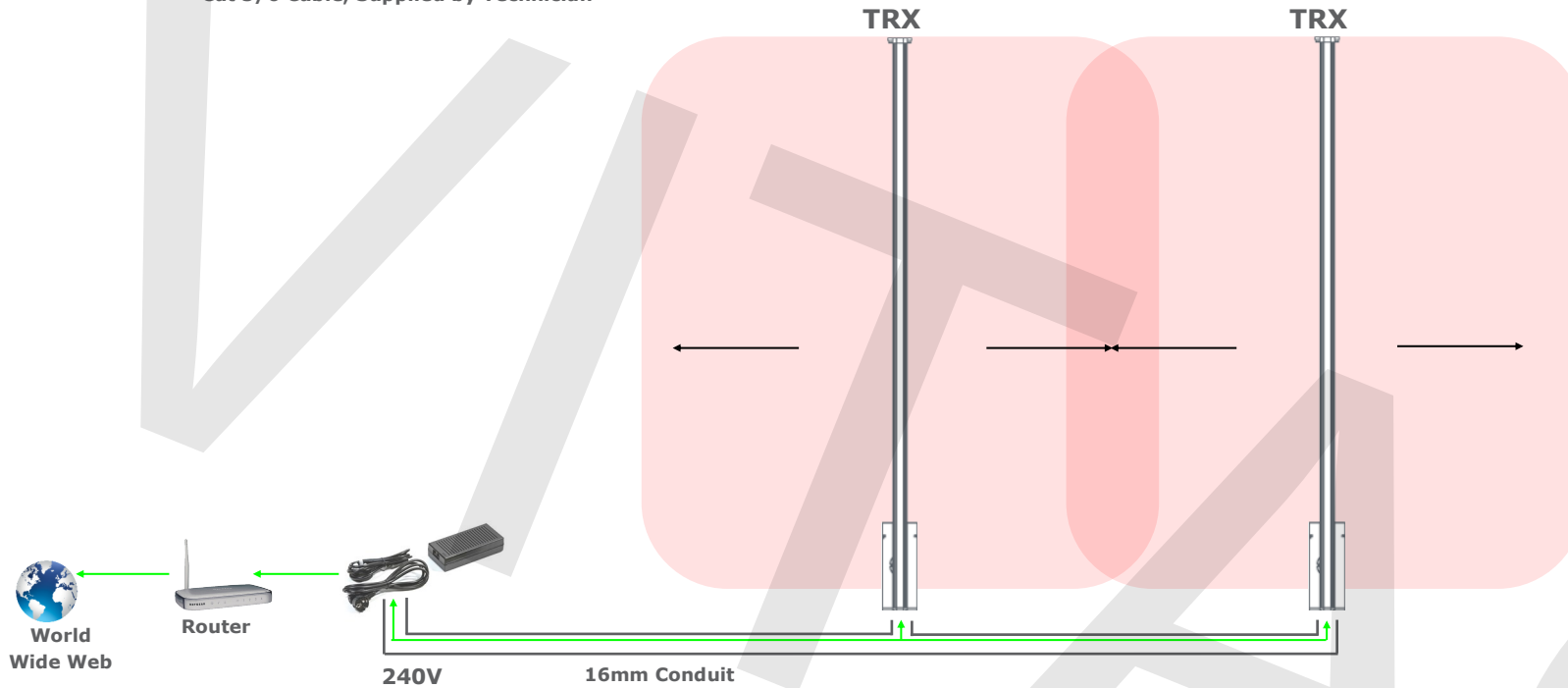


# iSense i30 - Two Transceiver with Internet Connection System Requirements

Cat 5/6 Cable, Supplied by Technician

# VITAG

Tel 1300 551 662  
 Fax 1300 551 649  
 Email [info@vitag.com.au](mailto:info@vitag.com.au)  
 Website [www.vitag.com.au](http://www.vitag.com.au)



Up to 5 Pedestals may be added in same configuration

i30 RF iSense Pedestal - Grey

**ND9563873**

Power Inserter Renos (PoE)

**ND9563067**

Infrared Counting Sensor i30 - Grey

**ND8020426**

Power Supply:

**188mm x 84mm x 45mm**

Detection zone is dependent on Tags/Labels to be used - refer to consultant

**Builder** - Provide single 16mm minimum Conduit in floor chase from Power Supply to last Pedestal with T pieces and sweeps at centre of each Pedestal. Alternative grout-line cuts or options for cabling around doorways should be discussed with Vitag.

