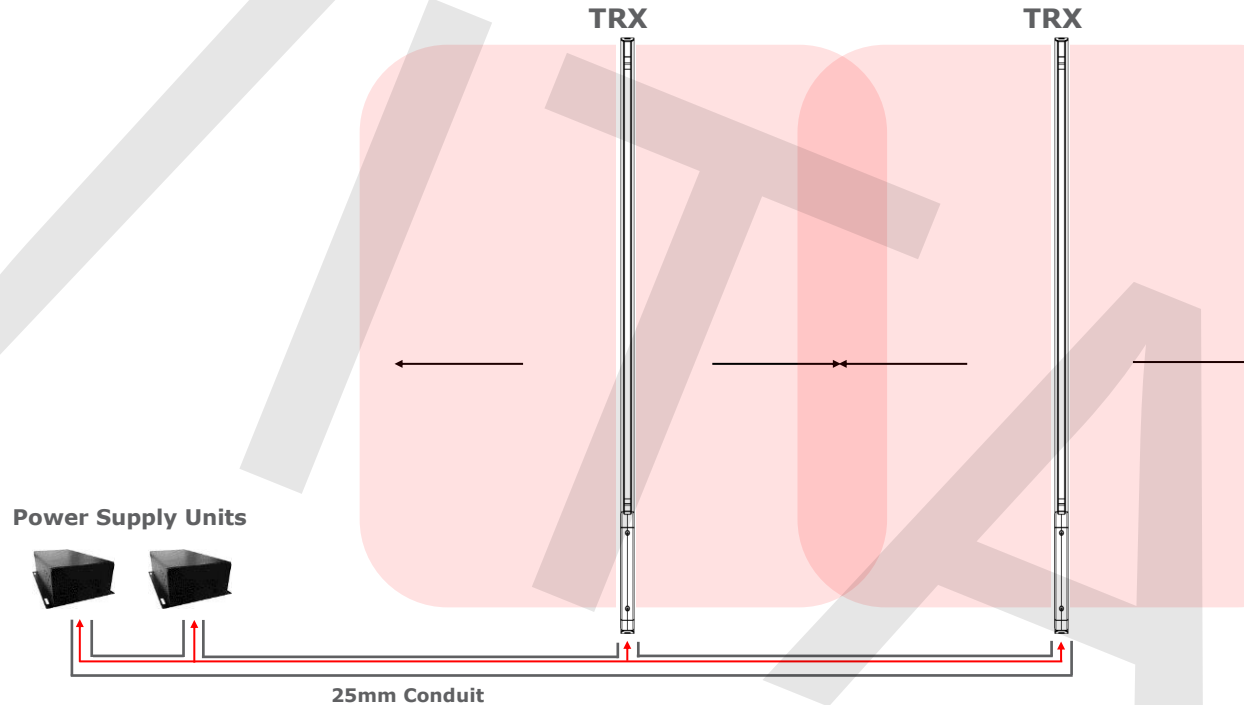


Stylus AM30 Optima Dual (2 x Transceiver) System Requirements

VITAG

Tel 1300 551 662
 Fax 1300 551 649
 Email info@vitag.com.au
 Website www.vitag.com.au

Power Cable, Supplied



Additional Pedestals may be added in same configuration

Stylus AM30 Optima Transceiver-PSU:

CP2101-6523-5300

Power Supply:

210mm x 172mm x 70mm

Detection zone is dependent on Tags/Labels to be used - refer to consultant

Builder - Provide single 25mm Conduit in floor chase from Power Supply to each Pedestal with T pieces and/or sweeps at centre of each Pedestal. PSUs can be located separately.

