

Smart Lock **Plunger Lock II**

Enhance customer service and increase sales.

Smart Lock is the first electronic lock and key system designed to deliver superior security protection for items merchandised or inventoried inside cabinets. The operational efficiency, improved customer service and speed to check out makes Smart Lock the perfect locked cabinet solution.

- › Sales associates are empowered to access locked display cabinets, delivering a more timely response to customers
- › Enhanced interaction with customers will result in increased sales
- › The IR2 Key and IR-S Key eliminate the need to search for a manager with the “master” mechanical key set

Plunger Lock II Specs

- › Designed for glass sliding and wood doors
- › Simple to retrofit and install – lock mounts quickly to metal arm of sliding panel doors (22mm (0.87") hole required)
- › Includes wood and metal screws and mounting bracket
- › E Ink® display provides visual confirmation that lock is locked or unlocked

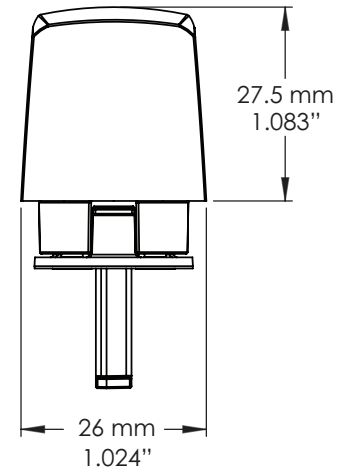
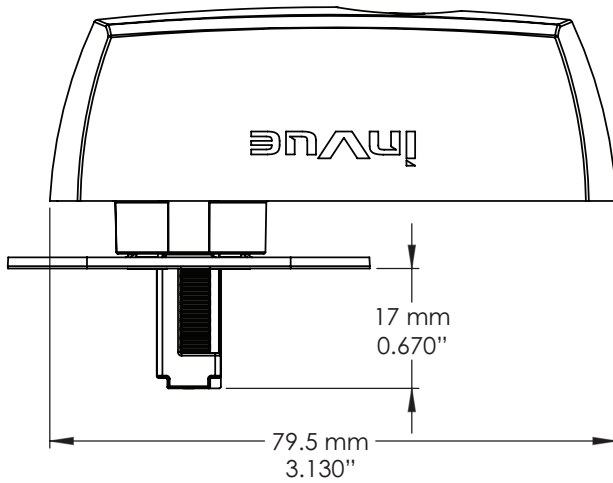


Lock Status Indicator



unit dimensions

PL202



InVue's Smart Lock program utilizes the new InVue IR2 Key. The IR2 Key provides a unique store code and time out feature for added security. And the IR2 Key will also work with all InVue PODs.



product ordering

ORDER CODE	DESCRIPTION	EXTERNAL DIM. (L x W x H)	CARTON QTY.	CARTON WT.
PL202	Plunger Lock II (For 22mm, 0.87" diameter panel hole)	2.75" L x 1.49" W x 1.0" H (69.9mm L x 37.8mm W x 25.6mm H)	1	0.45 lbs (0.2 kg)

CORPORATE OFFICE // North America // 704.752.6513 // 888.55.INVUE

EUROPEAN OFFICE // The Netherlands // +31.23.8900150

ASIAN OFFICE // Hong Kong // +852.3127.6811

LATIN AMERICA OFFICE // Mexico // +52.55.90003957

©2012 InVue Security Products. No endorsement of InVue products has been made by any of the manufacturers of the products shown. Product is sold pursuant to InVue's warranty which can be found at www.invuesecurity.com/english/warranty.html

inVUE