

Smart Lock **Cam Lock**

Enhance customer service and increase sales.

Smart Lock is the first electronic lock and key system designed to deliver superior security protection for items merchandised or inventoried inside cabinets. The operational efficiency, improved customer service and speed to check out makes Smart Lock the perfect locked cabinet solution.

- › Sales associates are empowered to access locked display cabinets, delivering a more timely response to customers
- › Enhanced interaction with customers will result in increased sales
- › The IR2 Key and IR2-S Key eliminate the need to search for a manager with the “master” mechanical key set

Cam Lock Specs

- › Designed for pull out doors and drawers
- › Simple to retrofit and install (wood, glass or metal doors with 19mm (0.75") hole)
- › Cam Arm and Bracket Accessories provide installation flexibility
- › E Ink® display provides visual confirmation that lock is locked or unlocked

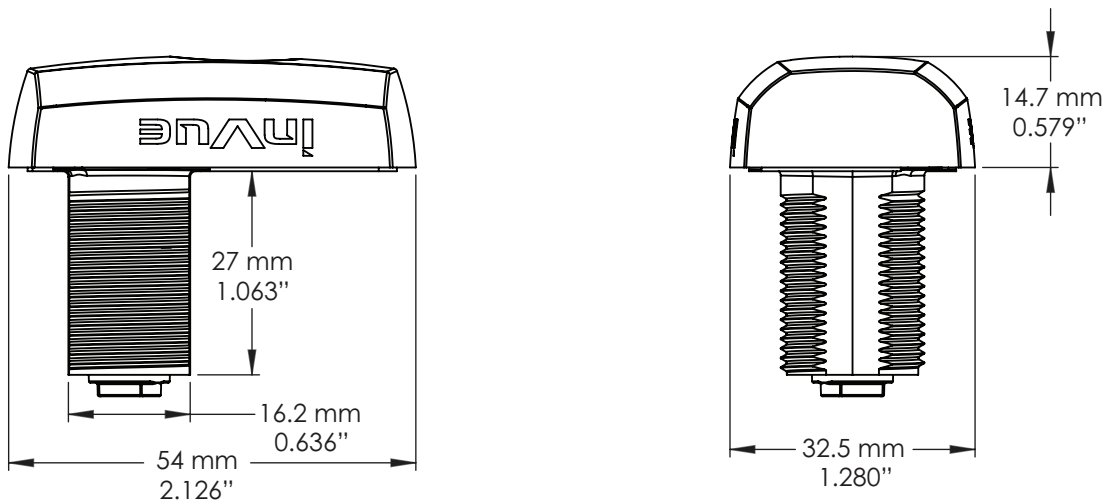


Lock Status Indicator



unit dimensions

PL301



InVue's Smart Lock utilizes the new InVue IR2 Key. The IR2 Key provides a unique store code and time out feature for added security. And the IR2 Key will also work with all InVue PODs.



product ordering

ORDER CODE	DESCRIPTION	EXTERNAL DIM. (L x W x H)	CARTON QTY.	CARTON WT.
PL301-W	Cam Lock – White	2.75" L x 1.49" W x 1.0" H (69.9mm L x 37.8mm W x 25.6mm H)	1	0.45 lbs (0.2 kg)
PL301-B	Cam Lock – Black (For 19mm, 0.75" diameter panel hole)			

* See the product catalog for the full selection of cam arms and latch bracket accessories.

CORPORATE OFFICE // North America // 704.752.6513 // 888.55.INVUE

EUROPEAN OFFICE // The Netherlands // +31.23.8900150

ASIAN OFFICE // Hong Kong // +852.3127.6811

LATIN AMERICA OFFICE // Mexico // +52.55.90003957

©2012 InVue Security Products. No endorsement of InVue products has been made by any of the manufacturers of the products shown. Product is sold pursuant to InVue's warranty which can be found at www.invuesecurity.com/english/warranty.html

inVUE