

Designed for single or double thick drawer panels.

Enhance customer service. Increase sales.



Smart Lock Drawer Locks are the first electronic lock and key system designed to deliver superior security protection for items merchandised or inventoried inside cabinets. Operational efficiency, improved customer service and speed to checkout makes Smart Lock the perfect locked cabinet solution.

- › Sales associates have access to locked display cabinets, delivering a more timely response to customers
- › Enhanced interaction with customers results in increased sales



Drawer Lock

FEATURES AND BENEFITS

- 1 Designed for pull out drawers with 19mm hole
- 2 Drawer arms provide installation flexibility
- 3 Two-piece design places electronic mechanism inside the drawer
- 4 Simple installation with common tools
- 5 No re-keying of locks when keys are lost, broken or stolen
- 6 Lock Status Indicator provides visual confirmation that lock is locked or unlocked
- 7 Drawer Lock is part of the exclusive InVue single key IR Ecosystem™



Drawer Lock



IR ECOSYSTEM™

The Drawer Lock is part of the exclusive InVue IR Ecosystem™, a storewide single key solution that improves customer service, increases sales and provides high theft protection.

InVue has a full line of Smart Locks that are designed for all types of glass, wood and metal locked cabinets including:

- › Pull out drawers
- › Swing out doors
- › Sliding bypass doors



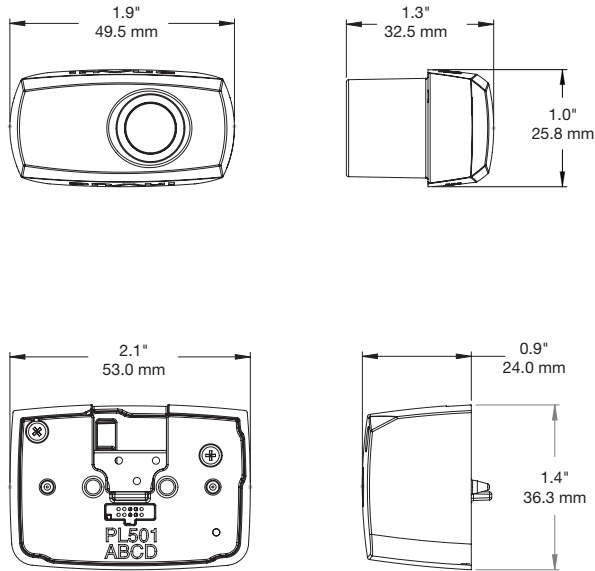
- Handheld Electronics
- Electronic Accessories
- Secure Fixtures
- Package Protection
- Locked Cabinets
- Commercial Solutions



Drawer Lock

SPECIFICATIONS

Drawer Lock (PL501):



Drawer Lock

PRODUCT ORDERING

ORDER CODE	DESCRIPTION	CARTON QTY.
PL501-B PL501-W	Drawer Lock – Black Drawer Lock – White	25
PL520-SK	Drawer Arm Kit	25
PL520-2001	Drawer Arm Straight 1-1/16"	25
PL520-2002	Drawer Arm Straight 1-11/16"	25
PL520-2003	Drawer Arm Straight 2-5/16"	25
PL520-2004	Drawer Arm Straight 3-1/8"	25
PL520-2205	Drawer Arm Offset 1-5/8" x 3/8"	25

invue.com

©2016 InVue Security Products. No endorsement of InVue products has been made by any of the manufacturers of the products shown. Product is sold pursuant to InVue's warranty which can be found at www.invue.com/warranty.

THE AMERICAS 704.752.6513 • 888.55.INVUE
EUROPE, MIDDLE EAST & AFRICA +31.23.8900150
ASIA PACIFIC +852.3127.6811

invue

rev. 12/19/16

