

## A simple, easy to use secure tablet display.



The CT100 provides extremely tough protection and is simple to install and use. When docked the CT100 automatically locks and immediately begins charging so that the tablet is secure, completely powered and ready for use.

The rugged tablet enclosure can be easily removed for mobile use and includes ergonomically designed handles with straps to reduce user fatigue and can be adapted to a variety of business needs.



## FEATURES AND BENEFITS

- 1 Rugged all metal stand securely mounts to any drillable surface (can also be adhesive mounted)
- 2 Strong polycarbonate tablet frame protects the tablet from theft and abuse
- 3 Integrated contact charging powers tablet when docked, eliminating the need to plug to any cables
- 4 IR interface easily accessed, IR Key instantly unlocks tablet for mobility with no impact to transaction time
- 5 Easily rotate tablet between portrait and landscape orientations
- 6 Swivel base option is available



**IR ECOSYSTEM™**

CT100 is part of the exclusive InVue IR Ecosystem™, a storewide single key solution that improves customer service, increases sales and provides high theft protection.



Handheld Electronics

Electronic Accessories

Secure Fixtures

Package Protection

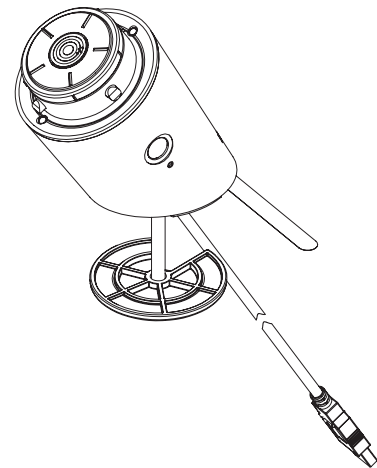
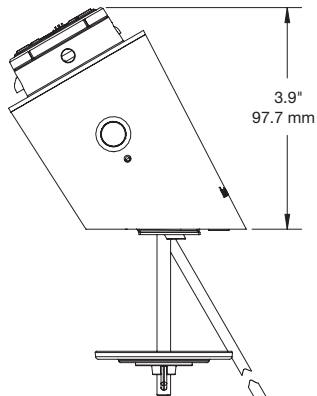
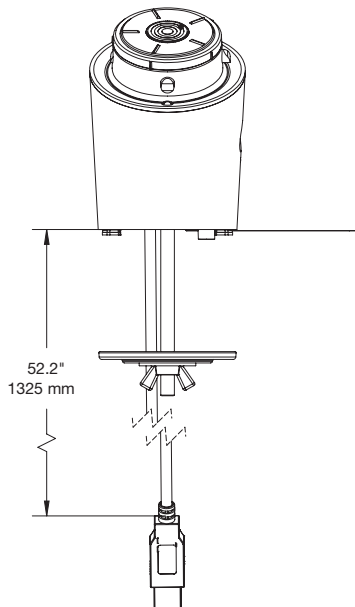
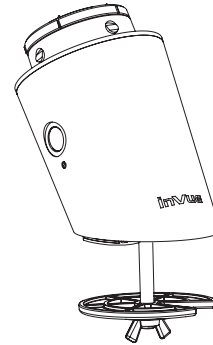
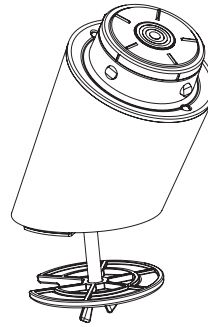
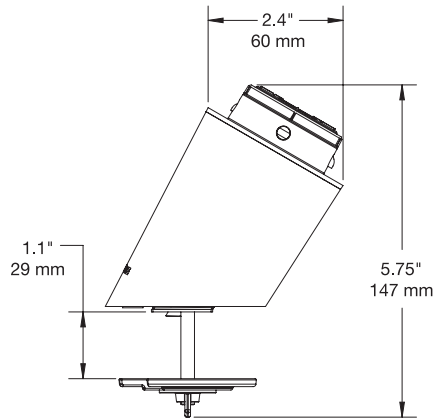
Locked Cabinets

Commercial Solutions



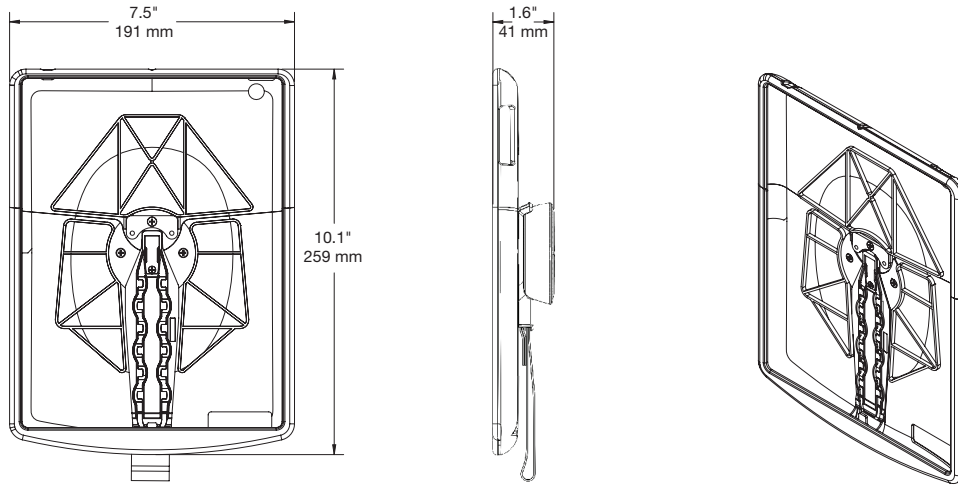
## SPECIFICATIONS

Stand (CT100/CT100NA):

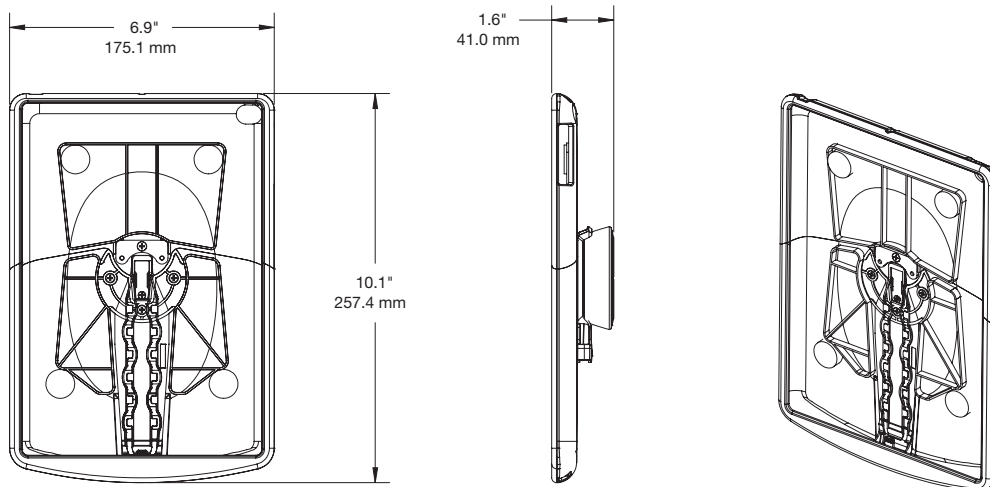


**SPECIFICATIONS**

Tablet Frame for iPad Generations 2-4 (CT200):

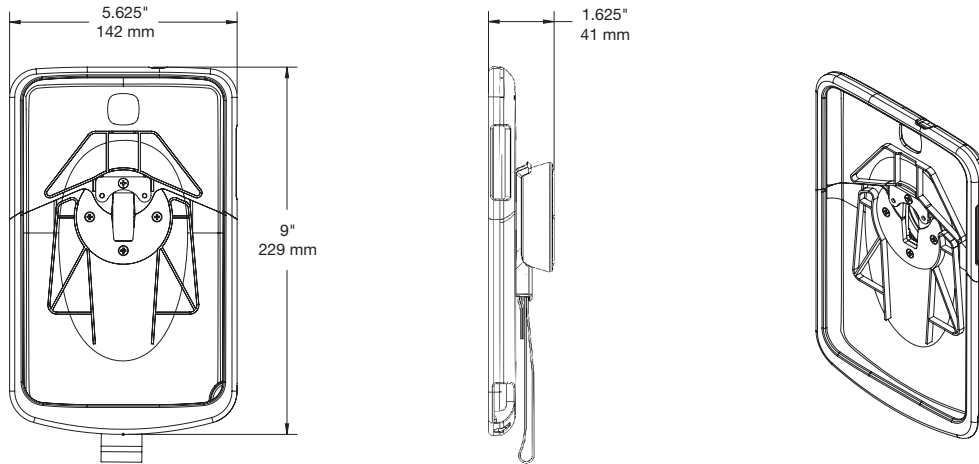


Tablet Frame for iPad Air and Air 2 (CT206A):

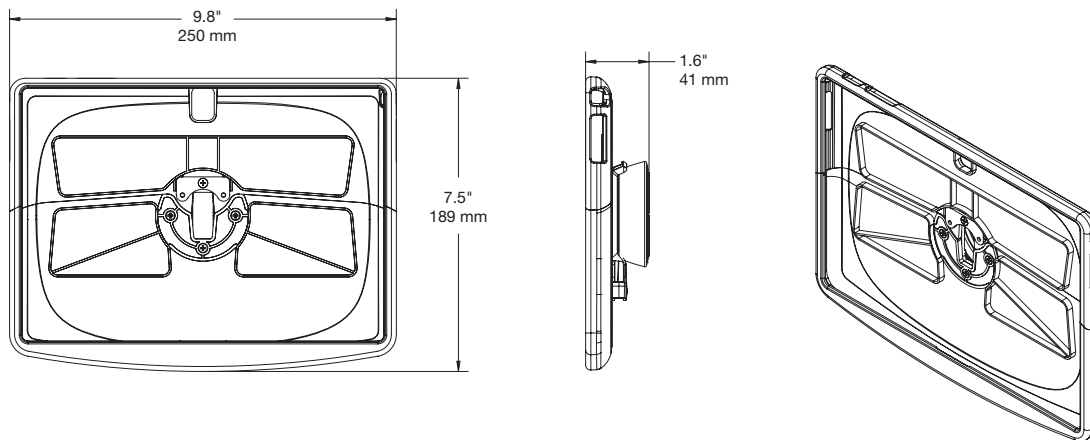


**SPECIFICATIONS**

Tablet frame for Samsung Note 8.0 (CT202):

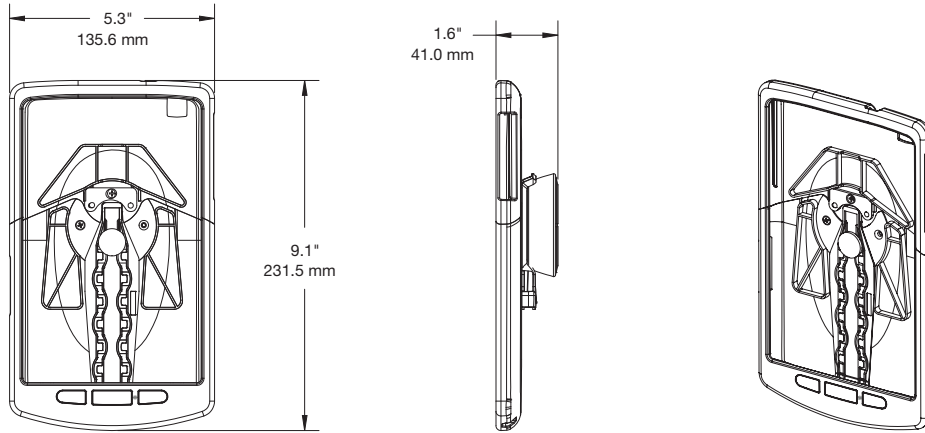


Tablet Frame for Samsung Galaxy Tab Pro and Galaxy Note 10.1 (CT207):

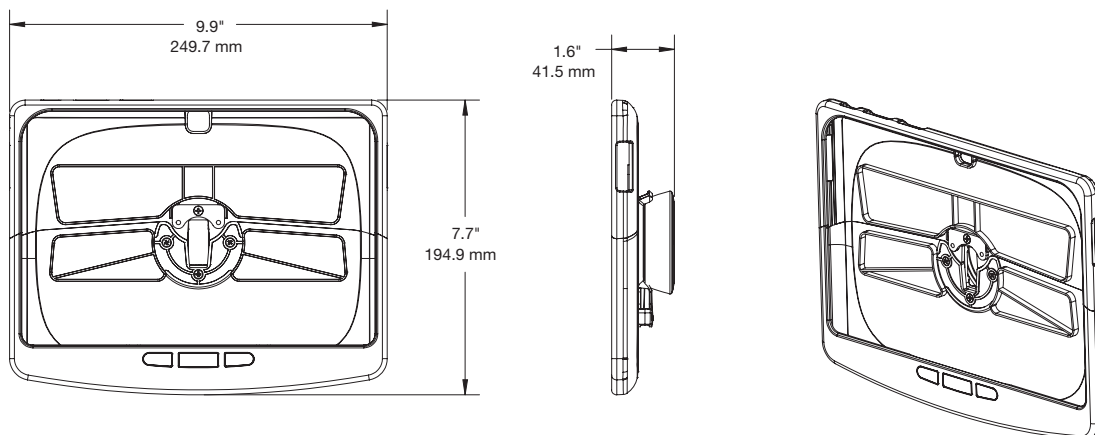


**SPECIFICATIONS**

Tablet Frame for Samsung Galaxy Tab 3 & 4 8.0 (CT208):

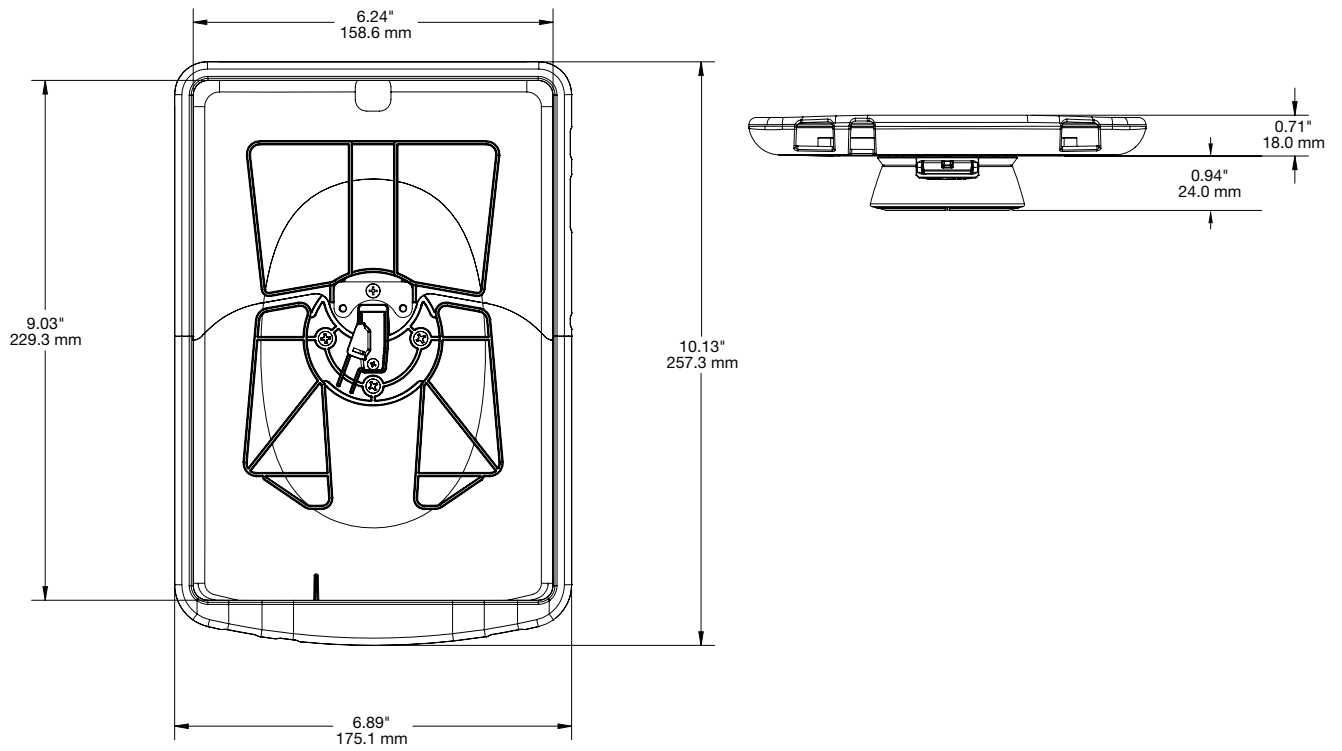


Tablet Frame for Samsung Galaxy Tab 3 & 4 10.1 (CT209):



**SPECIFICATIONS**

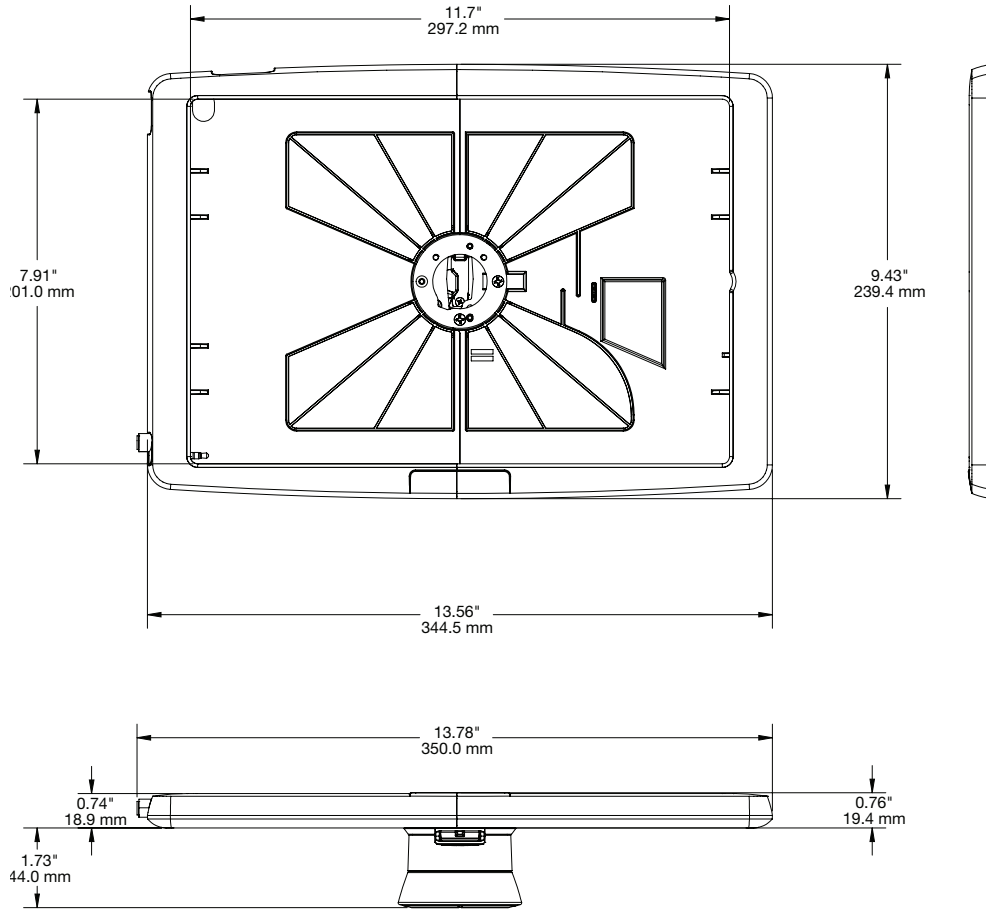
CT100 Samsung Tab S2 9.7 Frame (CT213):





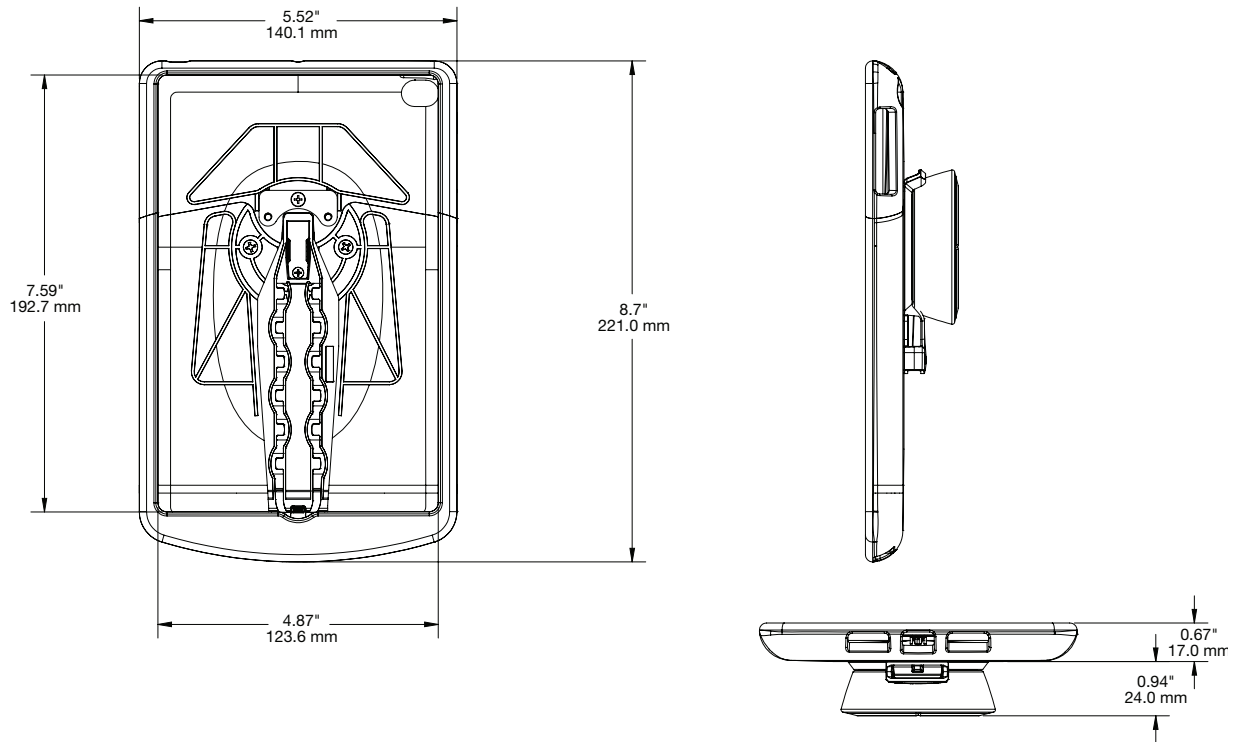
**SPECIFICATIONS**

CT100 iPad Pro 12.9 Frame (CT214):



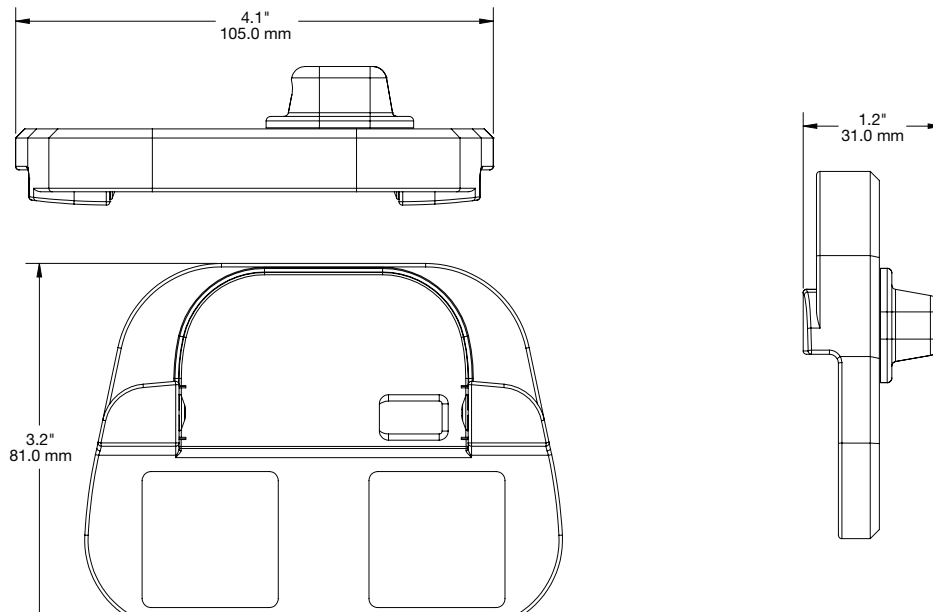
## SPECIFICATIONS

CT100 iPad Mini 2, 3 & 4 Frame (CT217):



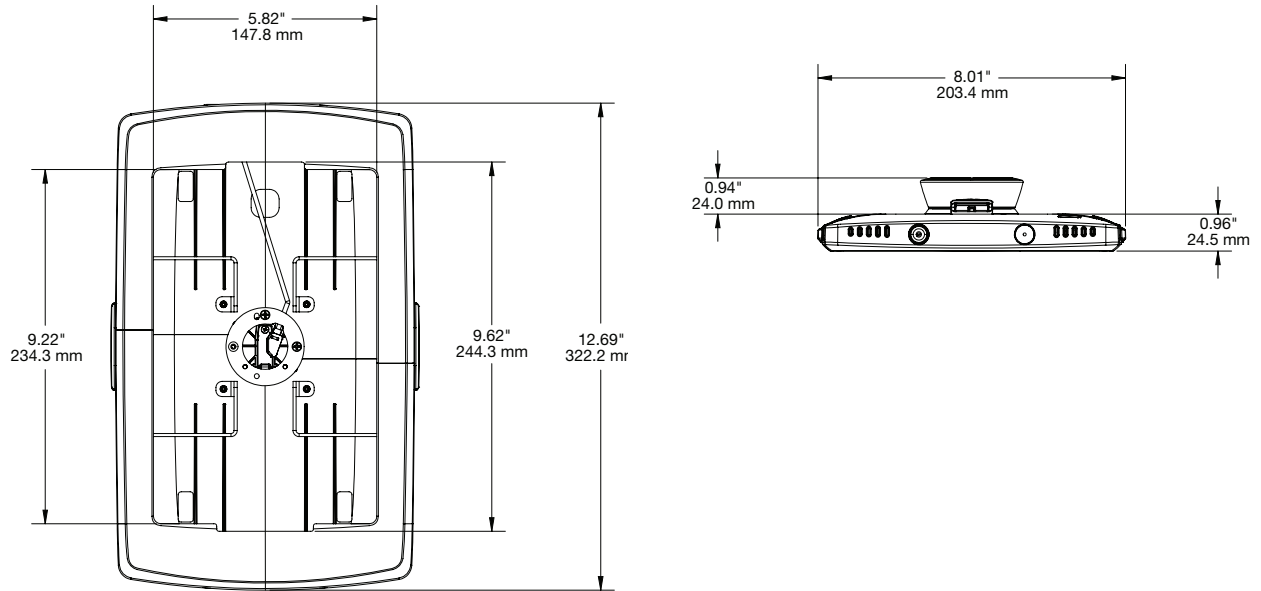
CT100 Magtek iDynamo Adhesive Mount (CTBA007):

For use with all Apple tablets. Requires CT100 adhesive puck, CT100ADH-UUSB

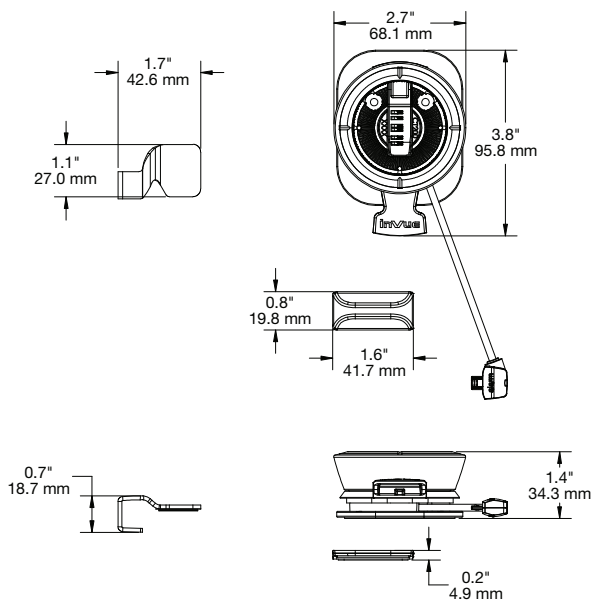


## SPECIFICATIONS

CT100 Samsung Tab A 10.1 Model T58x Frame (CT2010SGAT10-B/W):

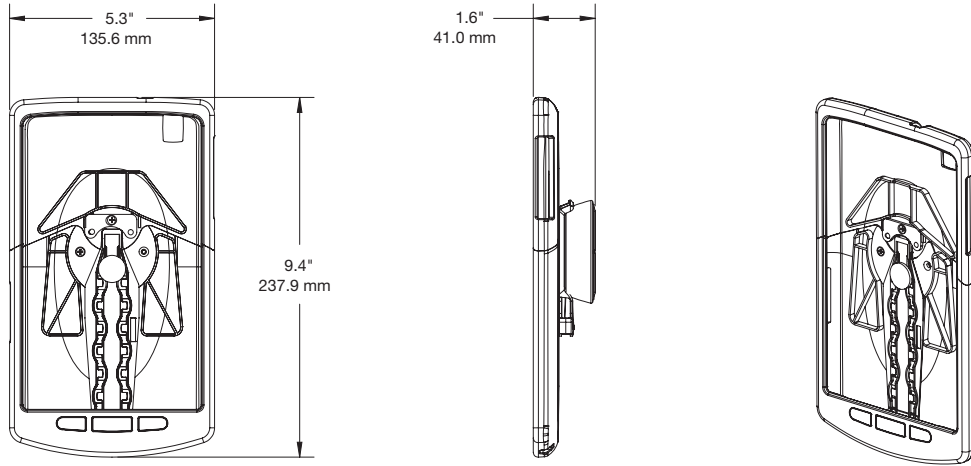


CT100 Adhesive Frame Puck microUSB (CT100AD-UUSB):

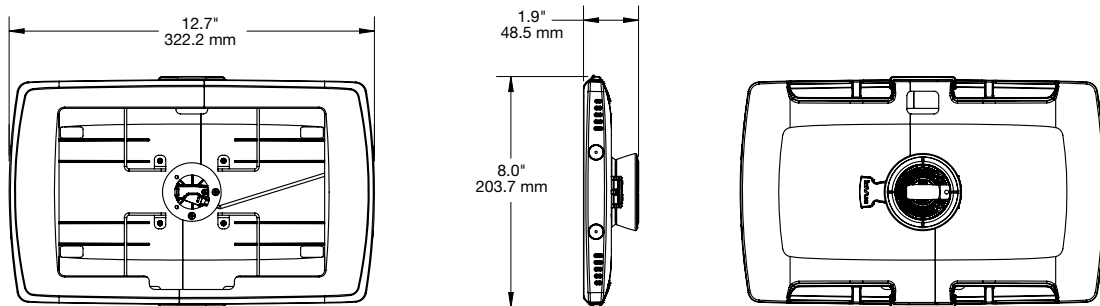


**SPECIFICATIONS**

Tablet Frame for Samsung Galaxy Tab Pro 8.4 (CT210):

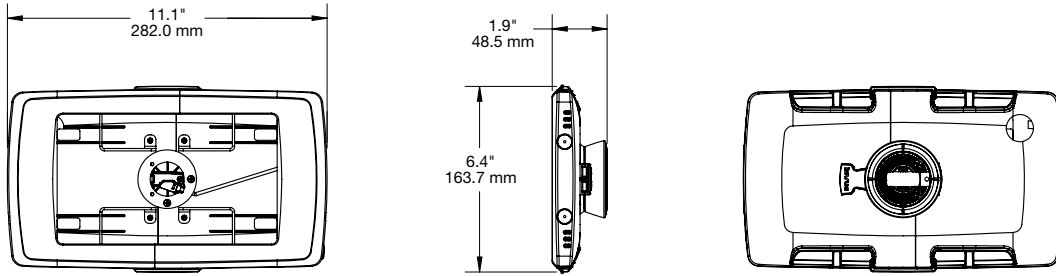


Adjustable Tablet Frame for Samsung Tab S 10.5 (CT2010SGS-B/W):

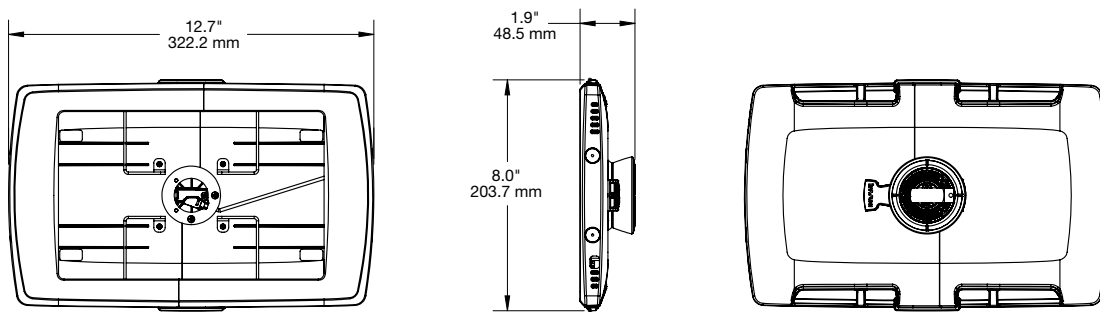


**SPECIFICATIONS**

Adjustable Tablet Frame for Tesco Hudl 2 (CT2080HDL2-B):

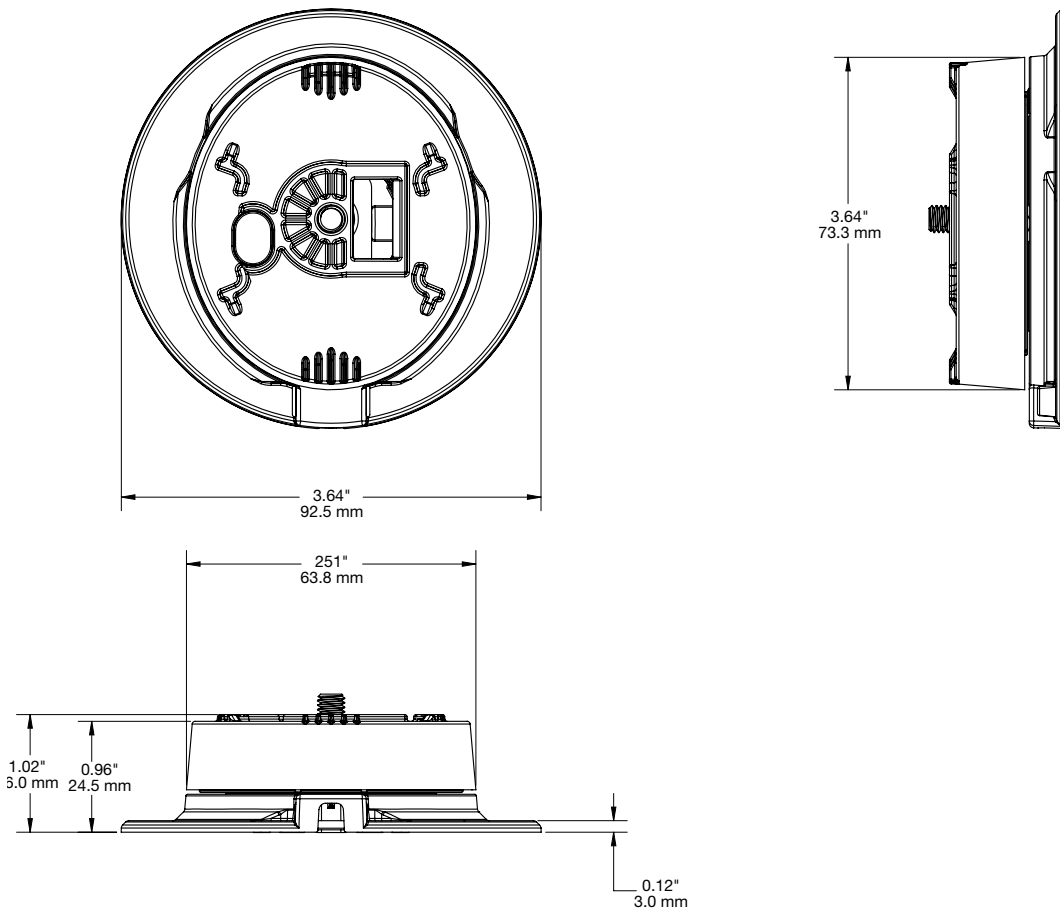


Adjustable Tablet Frame for Acer Iconia Tab (CT2010ACRI-B):



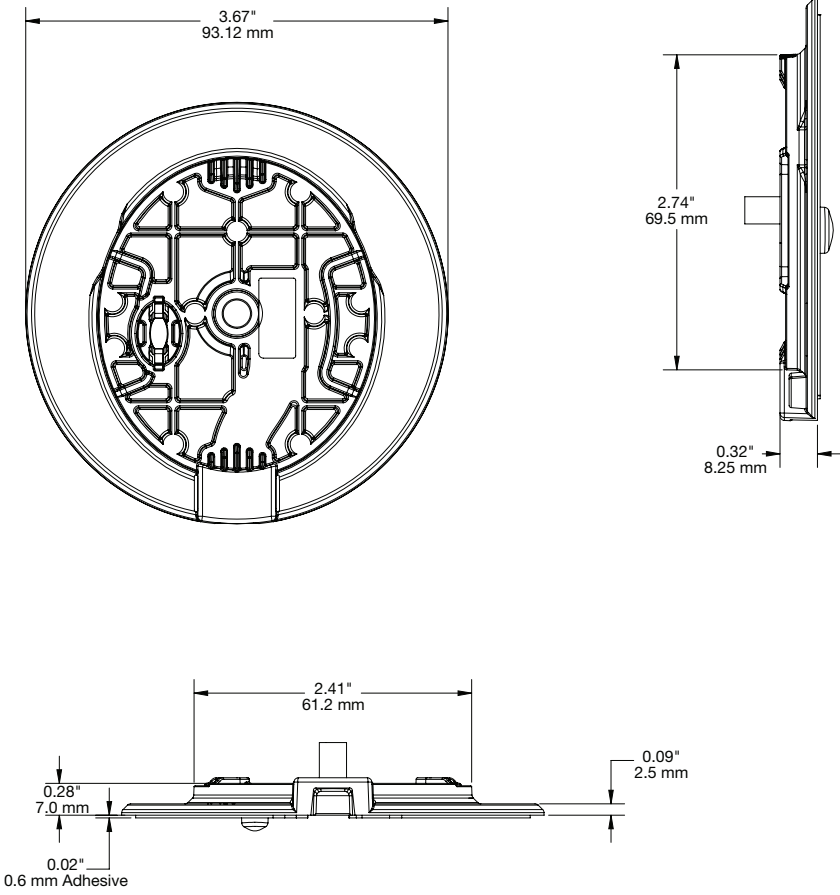
**SPECIFICATIONS**

CT100 Swivel Base, Bolt or Adhesive Mount (CT310):



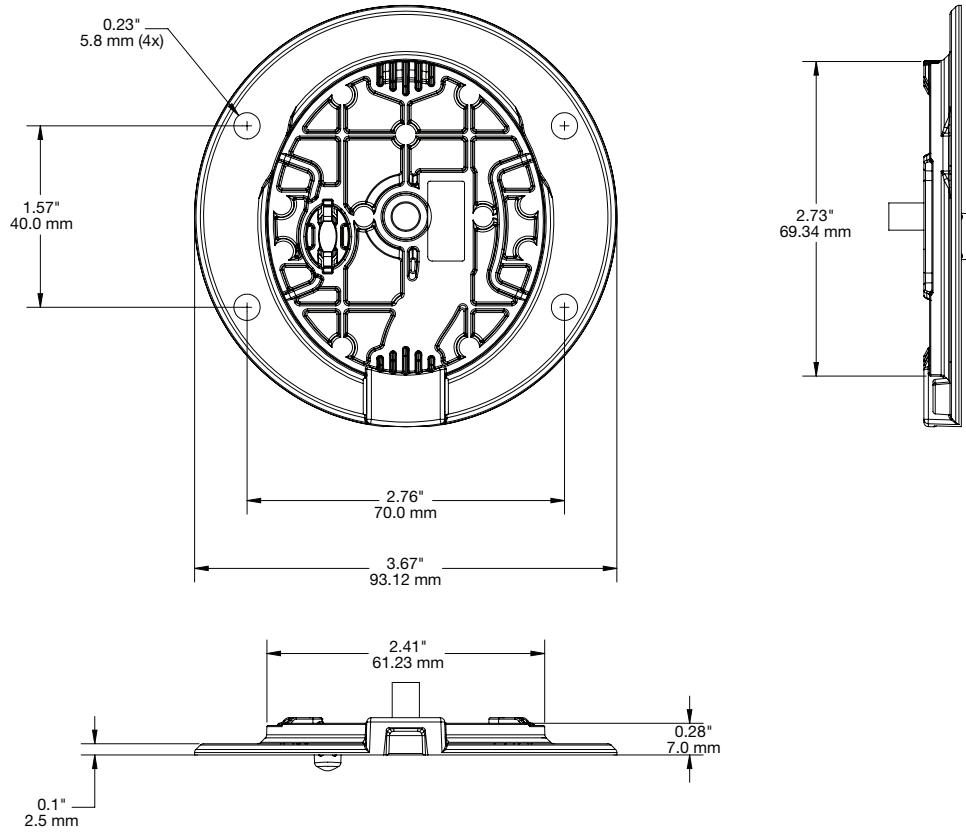
**SPECIFICATIONS**

CT100 Adhesive Fixed Mount (CT311):



## SPECIFICATIONS

CT100 Wall Mont Plate B/W (CT316):





## PRODUCT ORDERING: CT100

ORDER CODE	DESCRIPTION	NOTES	CARTON QTY.
CT100-B CT100-W	IR2 Commercial Tablet Stand - Black IR2 Commercial Tablet Stand - White		1
CT100NA-B CT100NA-W	IR2 Premium Commercial Security Stand, Non-Alarming - Black IR2 Premium Commercial Security Stand, Non-Alarming - White		1
CTG2P001	CT100 Free Standing Acrylic Base		1
CT200-B CT200-W	IR2 Commercial Tablet Frame, iPad 4 - Black IR2 Commercial Tablet Frame, iPad 4 - White		1
CT217-B CT217-W	CT100 iPad Mini 2, 3 & 4 Frame - Black CT100 iPad Mini 2, 3 & 4 Frame - White		1
CT202-B CT202-W	CT100 Samsung Galaxy Note 8.0 Frame - Black CT100 Samsung Galaxy Note 8.0 Frame - White		1
CT206A-B CT206A-W	CT100 iPad Air, Air 2 and 9.7 Frame - Black CT100 iPad Air, Air 2 and 9.7 Frame - White		1
CT207-B CT207-W	CT100 Samsung Galaxy Note/Tab Pro 10.1 Frame - Black CT100 Samsung Galaxy Note/Tab Pro 10.1 Frame - White		1
CT208-B CT208-W	CT100 Samsung Galaxy Tab 3 & 4 8.0 Frame - Black CT100 Samsung Galaxy Tab 3 & 4 8.0 Frame - White		1
CT209-B CT209-W	CT100 Samsung Galaxy Tab 3 & 4 10.1 Frame - Black CT100 Samsung Galaxy Tab 3 & 4 10.1 Frame - White		1
CT210-B CT210-W	CT100 Samsung Galaxy Tab Pro 8.4 Frame - Black CT100 Samsung Galaxy Tab Pro 8.4 Frame - White		1
CT213-B CT213-W	CT100 Samsung Tab S2 9.7 Frame - Black CT100 Samsung Tab S2 9.7 Frame - White		1
CT214-B CT214-W	CT100 iPad Pro 12.9 Frame - Black CT100 iPad Pro 12.9 Frame - White		1
CT217-B CT217-W	CT100 iPad Mini 2, 3, & 4 Frame - Black CT100 iPad Mini 2, 3, & 4 Frame - White		1
CT2010SGS-B CT2010SGS-W	CT100 Samsung Tab S 10.5 Frame - Black CT100 Samsung Tab S 10.5 Frame - White		1
CT2010STGA-W	CT100 Samsung Tab A 9.7 Frame - White		1
CT2010SGTA10-W	CT100 Samsung Tab A 10.1 Model T58x Frame - White		1
CT2010ACRI-B	CT100 Acer Iconia A-10 Frame - Black		1
CT2080HDL2-B	CT100 Tesco Hudl 2 Frame - Black		1

\*OEM power supply can be used



## PRODUCT ORDERING: CT100

ORDER CODE	DESCRIPTION	NOTES	CARTON QTY.
CT103	Lightning MFi Connector		1
CT302	Micro USB Connector		1
CT303	Galaxy Micro USB Connector		1
CT304	Lightning MFi Connector for iPad Mini, Air and 9.7		1
CT313	CT100 Tablet Frame iPad Air 2 Power Connector		1
CT304	Lightning MFi Connector for iPad Mini and iPad Air		1
CT313	CT100 Tablet Frame iPad Air 2 Power Connector		1
CT104	30 Pin MFi Connector		1
CT203	Commercial Tablet Black Handle Strap		1
CT307	CT100 Tablet Frame Shoulder Strap		1
CT310-B CT310-W	CT100 Swivel Base, Bolt or Adhesive Mount - Black CT100 Swivel Base, Bolt or Adhesive Mount - White		1
CT311-B CT311-W	CT100 Adhesive Fixed Mount - Black CT100 Adhesive Fixed Mount - White		1
CT316-B CT316-W	CT100 Wall Mount Plate- Black CT100 Wall Mount Plate - White		1
CT318	CT100 iPad Mini 4 Frame Power Connector		1
CT401-B CT401-W	Power Button Blocker for CT100 Tablet Frames for iPads 2-4 - Black Power Button Blocker for CT100 Tablet Frames for iPads 2-4 - White		5
CT401M-B CT401M-W	Power Button Blocker for CT100 Tablet Frames for iPad Mini - Black Power Button Blocker for CT100 Tablet Frames for iPad Mini - White		5
CT402-B CT402-W	Power Button Blocker for CT100 Tablet Frames for iPad Air - Black Power Button Blocker for CT100 Tablet Frames for iPad Air - White		5
CT405-B CT405-W	Power Button Blocker for CT100 Tablet Frames for iPad Air2 - Black Power Button Blocker for CT100 Tablet Frames for iPad Air2 - White		5
CT404-B CT404-W	Home Button Blocker for CT100 Tablet Frames for all iPads - Black Home Button Blocker for CT100 Tablet Frames for all iPads - White		5

\*OEM power supply can be used



## PRODUCT ORDERING: CT100

ORDER CODE	DESCRIPTION	NOTES	CARTON QTY.
CT403	CT100 Frame Replacement Screws - Phillips		1
CT406A-R	CT100 Adhesive Label Rear Camera Opening for CT4206A		1
PS413	USB-A Extension Cable 1 Meter		1
PS515	5V USB-A Positive Slope Power Supply		1
CT204	Commercial Tablet Adhesive Replacement Kit		1
CT205	Commercial Tablet TT15 Bit		1
CT312	CT100 Adhesive Base Removal Tool		1
CTBA007	CT100 Magtek iDynamo Adhesive Mount	› For use with all Apple iPads. Requires CT100 adhesive puck CT100ADH-UUSB	1
CT100ADH-UUSB	CT100 Adhesive Frame Puck - microUSB		1
ADH2071	Replacement Adhesive for CT310 & CT311		1
ADH2143	CT100ADH-UUSB replacement adhesive	› Supports 5 units	1
AF6313	CT100 Multi Tool		1
DNTX93	CT100 scoop blade removal tool	› For use with multi tool AF6313. Use to remove CT100ADH-UUSB if necessary.	1

\*OEM power supply can be used



## TABLET FRAMES CURRENTLY AVAILABLE:

Acer Iconia Tab A10  
iPad Generations 2-4  
iPad Air & Air 2  
iPad Mini 2, 3, and 4  
iPad Pro 12.9  
Samsung Galaxy Note 8.0  
Samsung Galaxy Note 10.1  
Samsung Galaxy Tab 3-4 8.0  
Samsung Galaxy Tab 3-4 10.1  
Samsung Galaxy Tab Pro 8.4  
Samsung Galaxy Tab Pro 10.1  
Samsung Galaxy Tab A 9.7\*  
Samsung Galaxy Tab S2 9.7  
Samsung Tab A 10.1 Model T58x Frame  
Samsung Galaxy Tab S 10.5\*  
Tesco Hudl2\*\*

[invue.com](http://invue.com)

---

©2017 InVue Security Products. No endorsement of InVue products has been made by any of the manufacturers of the products shown. Product is sold pursuant to InVue's warranty which can be found at [www.invue.com/warranty](http://www.invue.com/warranty).

**THE AMERICAS** 704.752.6513 • 888.55.INVUE  
**EUROPE, MIDDLE EAST & AFRICA** +31.23.8900150  
**ASIA PACIFIC** +852.3127.6811

