



High impact security for smaller merchandise

Zips! 300

Alarming display stand

- Replaceable internal sensor cable with optional dual sensor
- Installs in seconds – no tools required
- Economical, attractive and secure
- Utilizes InVue's exclusive IR technology



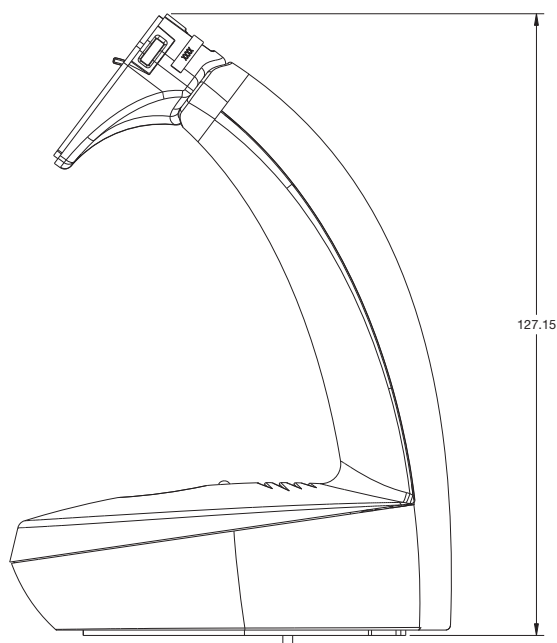
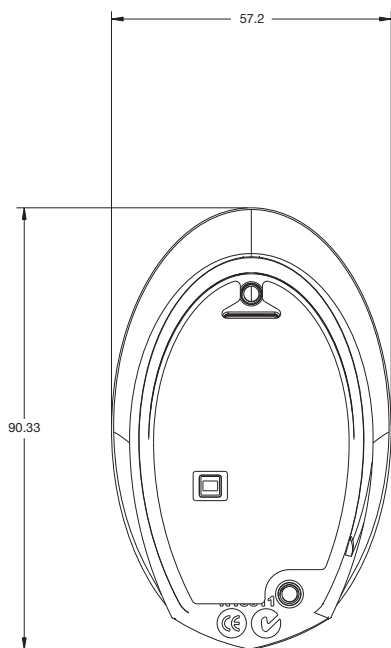
Internal Sensor Cable

Internal sensor cable creates an attractive display perfect for smaller merchandise.



Sleek Forward Curve

Sleek forward curve presents merchandise to customers and invites them to pick it up.

EM8001 & EM8002

product ordering

ORDER CODE	DESCRIPTION	EXTERNAL DIM. (L x W x D)	CARTON QTY.	CARTON WT.
EM8001-W EM8001-B	Zips 300 Stand with Single Sensor - White Zips 300 Stand with Single Sensor - Black	5.3" L x 3.7" W x 2.4" D (13.5cm L x 9.3cm W x 6.2cm D)	1	0.40 lbs (0.18 kg)
EM8002-W EM8002-B	Zips 300 Stand with Dual Sensor - White Zips 300 Stand with Dual Sensor - Black	5.3" L x 3.7" W x 2.4" D (13.5cm L x 9.3cm W x 6.2cm D)	1	0.40 lbs (0.18 kg)
EM8201-W EM8201-B	Zips 300 Single Sensor - White Zips 300 Single Sensor - Black	9.5" L x 1.2" W x 1.5" D (24.1cm L x 3.0cm W x 3.9cm D)	1	0.10 lbs (0.06 kg)
EM8202-W EM8202-B	Zips 300 Dual Sensor - White Zips 300 Dual Sensor - Black	9.5" L x 1.2" W x 3.0" D (24.1cm L x 3.0cm W x 7.8cm D)	1	0.10 lbs (0.06 kg)
EM8401	Zips 300 Single Sensor Adhesive Replacements	8.0" L x 4.5" W x 0.25" D (20.3cm L x 11.4cm W x 0.6cm D)	20	0.10 lbs (0.06 kg)
EM8402	Zips 300 Dual Sensor Adhesive Replacements	8.0" L x 4.5" W x 0.25" D (20.3cm L x 11.4cm W x 0.6cm D)	20	0.10 lbs (0.06 kg)
EM8403	Zips 300 Stand Adhesive Replacements	8.0" L x 4.5" W x 0.25" D (20.3cm L x 11.4cm W x 0.6cm D)	6	0.10 lbs (0.06 kg)
EM8404	Zips 300 Stand Base Cover and Battery Door	3.4" L x 2.2" W x 1.0" D (8.6cm L x 5.7cm W x 2.5cm D)	1	0.10 lbs (0.06 kg)

CORPORATE OFFICE // North America// 704.752.6513// 888.55.INVUE

EUROPEAN OFFICE // The Netherlands // +31.23.8900150

ASIAN OFFICE // Singapore // +65.6766.4844

LATIN AMERICA OFFICE // Mexico // +52.55.90003957

inVUE
SECURITY PRODUCTS®