



Tough protection that doesn't hinder the customer experience.

TB1

High Security Tablet Stand

- Fixed mount bracket and single angled sensor combine to provide ultimate protection
- Quickly and easily adjust to fit most sizes of tablets
- Provides full access to all ports and buttons



Fixed Mount Bracket

Provides maximum security and allows access to ports and buttons.

Angled Sensor

Angled sensor positions merchandise for optimal viewing and offer additional security.

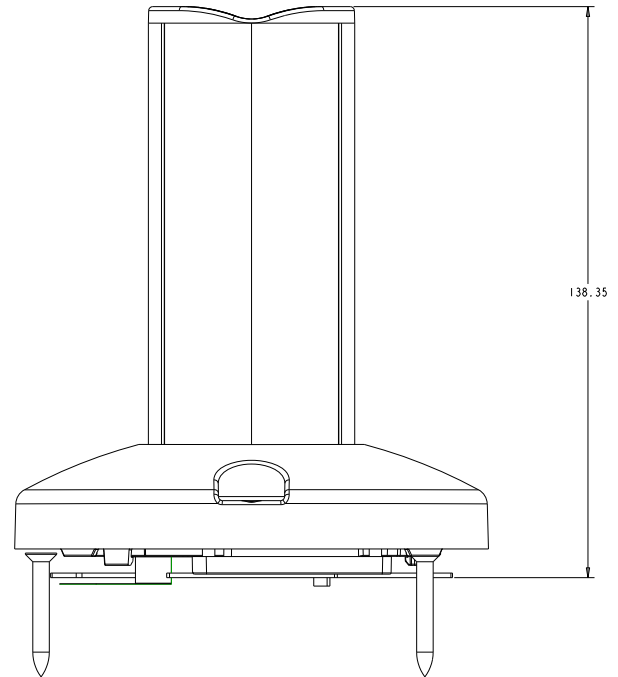
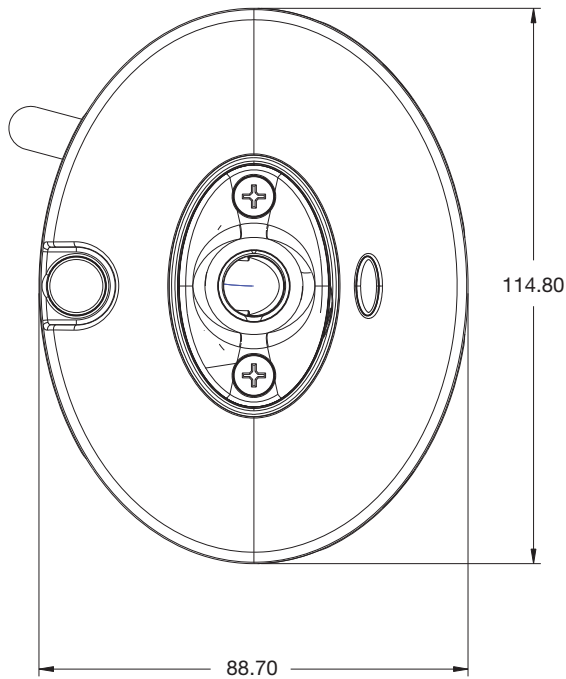
Fits Most Size Tablets

Adjustable arms adapt to fit most sizes of tablets or eReaders.



base dimensions

unit dimensions – tall, medium and low profile



product ordering

ORDER CODE	DESCRIPTION	EXTERNAL DIM. (L x W x D)	CARTON QTY.	CARTON WT.
HC7340-W HC7340-B	TB1 High Security Tablet Stand - White TB1 High Security Tablet Stand - Black	3.5" L x 5.0" W x 5.6" D (9.0cm L x 12.7cm W x 14.2cm D)	1	0.70 lbs (0.31 kg)
HC5417	Series 1000 Stand Replacement Adhesives	8.0" L x 4.5" W x 0.25" D (20.3cm L x 11.4cm W x 0.60cm D)	18	0.10 lbs (0.06 kg)
HC5406	Series 1000 High Security Bracket Replacement Adhesives	8.0" L x 4.5" W x 0.25" H (20.3cm L x 11.4cm W x 0.6cm D)	12	0.10 lbs (0.06 kg)
HC7401	Series 1000 Single Sensor Replacement Adhesives	8.0" L x 4.5" W x 0.25" H (20.3cm L x 11.4cm W x 0.6cm D)	20	0.10 lbs (0.06 kg)

CORPORATE OFFICE // North America// 704.752.6513// 888.55.INVUE

EUROPEAN OFFICE // The Netherlands // +31.23.8900150

ASIAN OFFICE // Singapore // +65.6766.4844

LATIN AMERICA OFFICE // Mexico // +52.55.90003957

